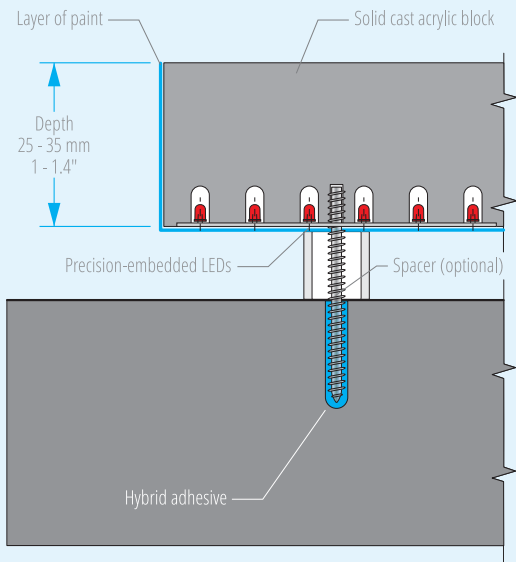




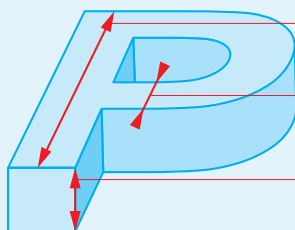
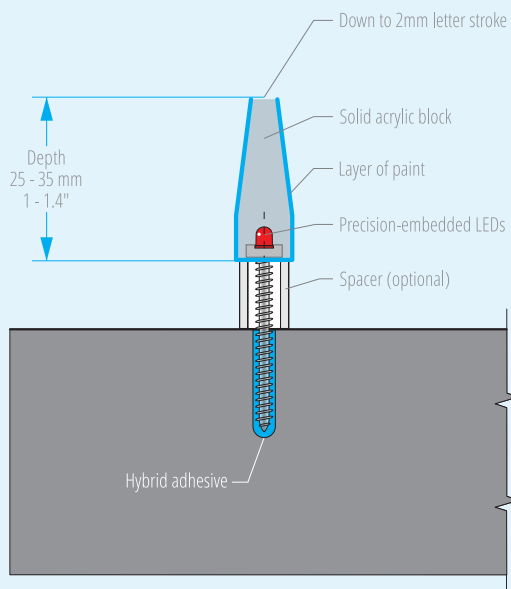
ProvisGraphic
ILLUMINATE YOUR EDGE



LaserLetter™

Face-lit

- cast acrylic with embedded LEDs
- face-lit letter strokes as narrow as 2 mm
- low profile down to 25mm deep (just less than an inch)
- trim-less face, flush to returns
- painted returns and back
- paint color matching available



letter height
50 - 2000 mm / 2 - 80"

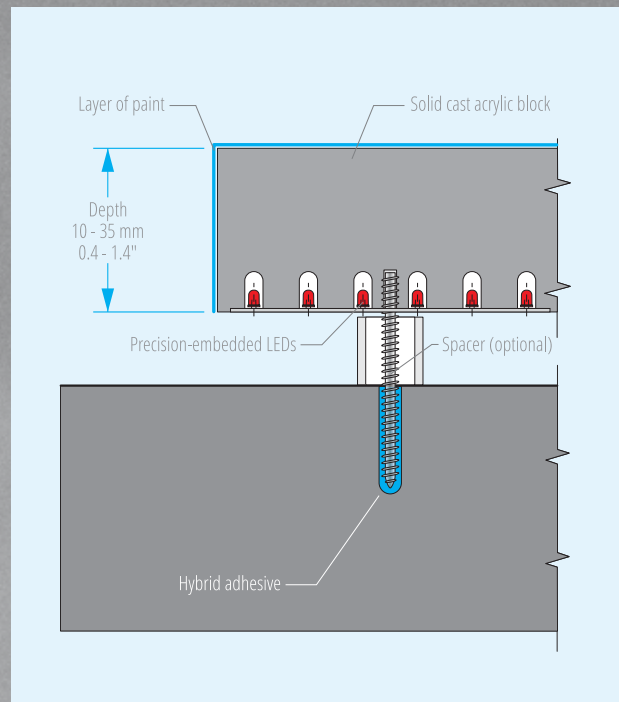
minimum stroke
2 mm / 0.08"

letter depth
25 - 35 mm / 1 - 1.4"

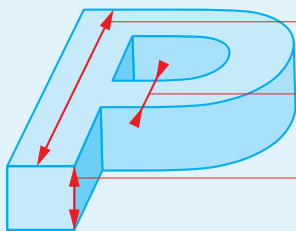
LaserLetter™

Halo-lit

- achieve a halo effect with flat cut-out cast acrylic that's a little more than 3/8" thick
- precision LED placement to maximize quality of halo diffusion
- painted face and returns
- paint color matching available



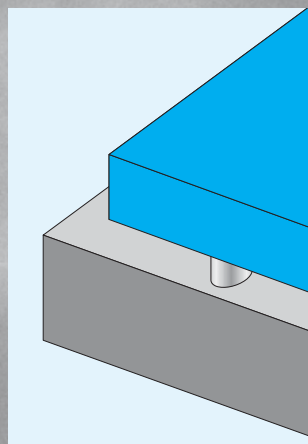
ProvisGraphic
ILLUMINATE YOUR EDGE



letter height
50 - 2000 mm / 2 - 80"

minimum stroke
12 mm / 0.47"

letter depth
10 - 35 mm / 0.4 - 1.4"



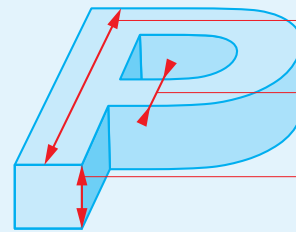
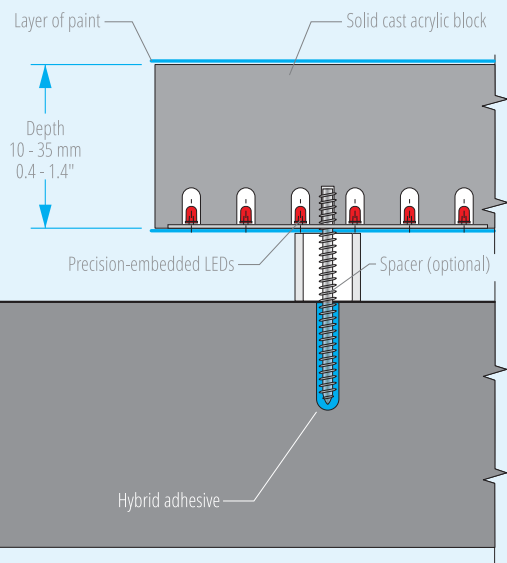


ProvisGraphic
ILLUMINATE YOUR EDGE

LaserLetter™

Side-lit

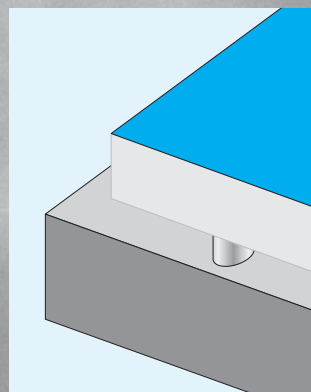
- solid cast acrylic block
- precision-embedded LEDs
- painted face and back
- paint color matching available



letter height
50 - 2000 mm / 2 - 80"

minimum stroke
30 mm / 1.2"

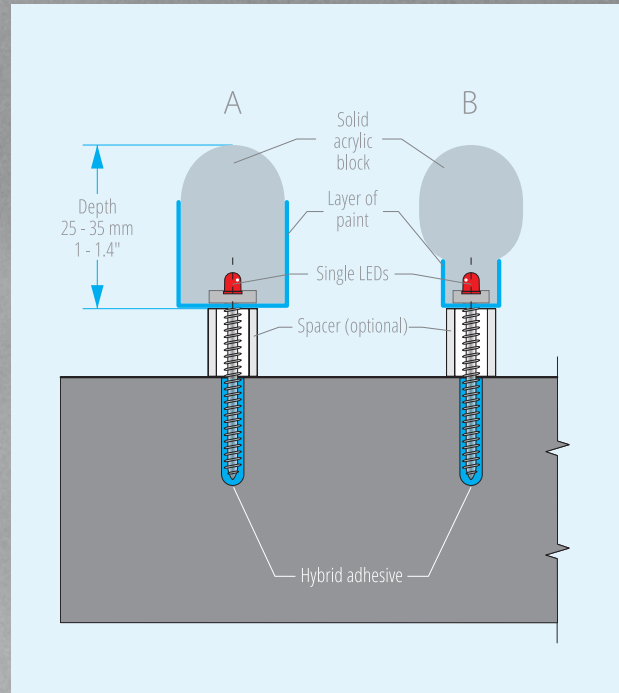
letter depth
25 - 35 mm / 1 - 1.4"



LaserLetter™

Faux Neon

- solid cast acrylic block
- precision-embedded LEDs
- face with tight curve
- option for curved returns
- paint color matching available



ProvisGraphic
ILLUMINATE YOUR EDGE

